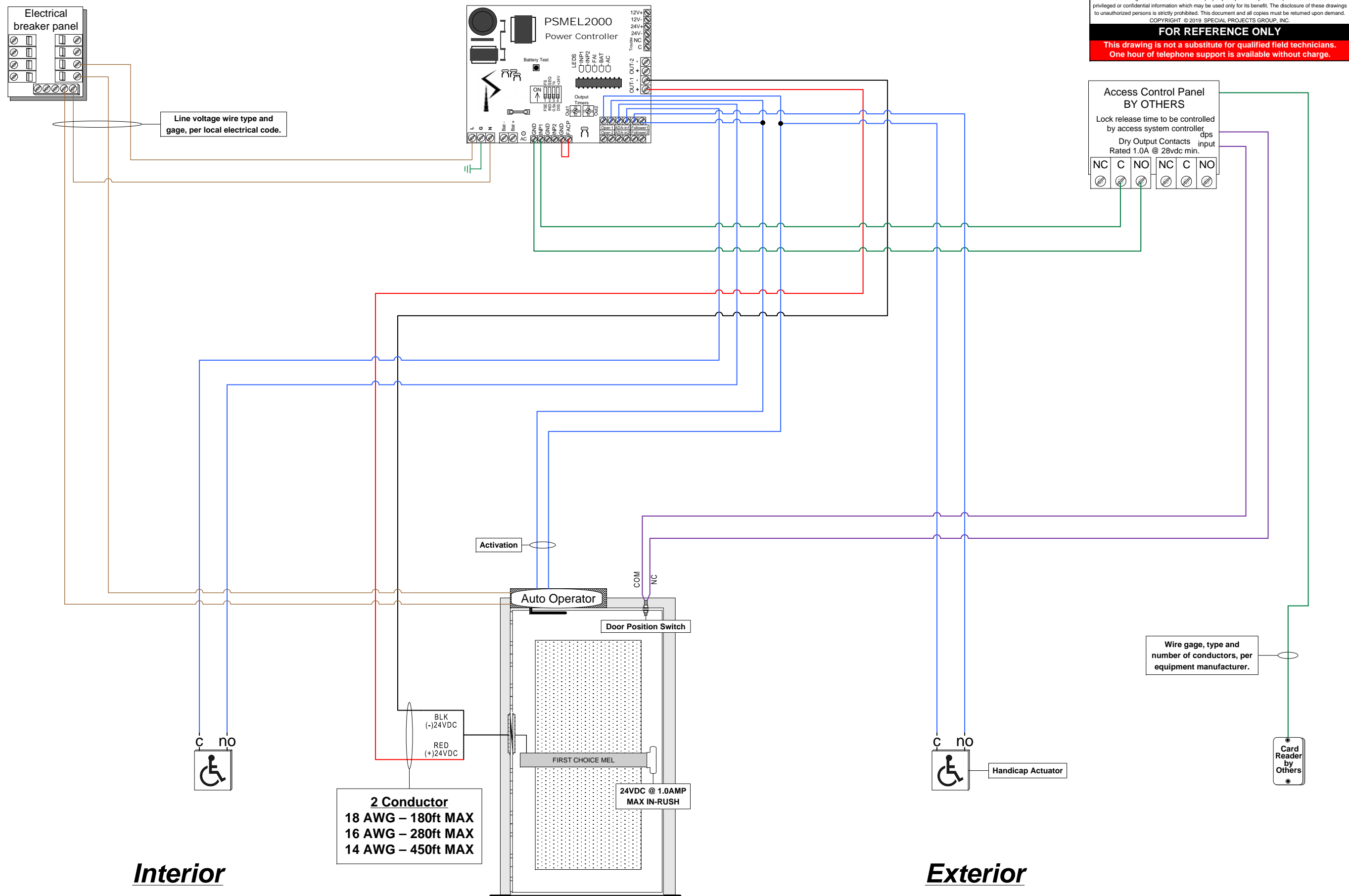


NOTES:

- 1) Verify that each component requiring or supplying power has been configured for proper system voltage before applying power.
- 2) All wires to be 18 awg 100' max unless otherwise noted on drawing. Refer to manufacturers instructions for proper wire gauge on any power supply, electric device or electrified lock hardware. Manufacturers requirements take precedence.
- 3) All line voltage power to be I/A/W local electrical code.
- 4) All low voltage wires to be stranded copper unless superseded by local electrical code or electric device manufacturer.
- 5) It is considered good electrical practice to run spare wires at any location that may be difficult to access after construction.

These drawings are the sole and exclusive property of Special Projects Group and contain sensitive privileged or confidential information which may be used only for its benefit. The disclosure of these drawings to unauthorized persons is strictly prohibited. This document and all copies must be returned upon demand.
COPYRIGHT © 2019 SPECIAL PROJECTS GROUP, INC.
FOR REFERENCE ONLY
This drawing is not a substitute for qualified field technicians.
One hour of telephone support is available without charge.



Electrical Circuit Legend

Red = (+)VDC Power
Black = (-) VDC Power
Green = Signaling
Blue = Activation
Violet = Monitoring/Supervisory
Brown = AC High Voltage

Interior

Exterior

Function Statement:

- From exterior - locked condition:** Access by presenting valid credential at reader interface to retract electric exit device latchbolts and enable exterior handicap actuator use.
- From exterior - unlocked condition:** Door to remain locked unless electric exit device held retracted by access control system. When unlocked, exterior handicap actuator to be available.
- From interior - locked condition:** Free egress at all times by means of exit device or by pressing interior handicap actuator to retract electric exit device latchbolts and initiate automatic operator.
- From interior - unlocked condition:** Free egress at all times by means of exit device or by pressing interior handicap actuator to retract electric exit device latchbolts and initiate automatic operator.
- General:** Fail-secure electric latch retraction exit device to remain locked during utility power-loss event.

Title: SGL MELexit_Operator PS-MEL-2000.vsd		Project: Example	
HWSET: Example		Door: EXT-1	
Date: 5/17/2019	Date Printed: 5/17/2019	Last Revised: 5/17/2019	11:14:28 AM
Drawn By: Eric Norton	For: Special Projects Group	SO: n/a	Pg: 1 OF 1