

3190

SERIES

MIDRAIL MOUNTED CVR EXIT DEVICE

GRADE 1 Listed –
ANSI/BHMA 156.3
UL File #SN2590 for UL305
Panic Hardware

Suitable for Narrow
Stile Doors

Standard Door Widths
36", 42", 48"

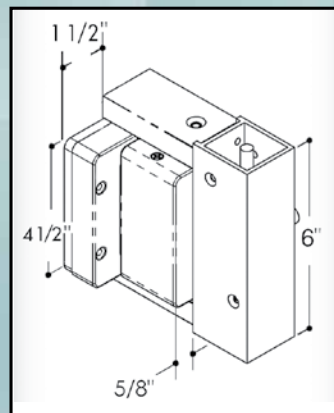
** Devices approved for Blast and Impact are part of the complete entrance system as provided by the door manufacturer. Consult your door supplier for approved models.*

SPECIFICATIONS

- Exit device shall be 3190 series concealed vertical rod device as manufactured by First Choice Building Products, Inc.
- Exit device shall have UL file #: SA12590 for UL305 and be GRADE 1 listed under national standard ANSI/BHMA 156.3.
- Exit device shall be a narrow style model utilizing low profile touch bar projecting 1 1/2" from face of door.
- Exit device shall use 3/8" steel vertical rods operating hardened steel latch bolts with the top latch engaging a stainless steel, top jamb mounted strike with rotational adjustment for proper door alignment.
- Exit device shall be non-handed.
- Exit device shall have the following upgrades available:
 - ✓ Electric latch retraction (rated for continuous all day retraction.)
 - ✓ Signal switch providing the ability to monitor of the push bar position and to provide a n.o./n.c. trigger to any new or existing system.

OPTIONS

- MEL3000-1 24vDC 1 Amp Electric Latch Retraction
- Exterior Key Cylinder with Night Latch or Hold Back Functions
- Signal Switch



DIMENSIONS

- 4 1/2" Push Bar Height
- 1 1/2" Projection

3190
S E R I E S

**MIDRAIL MOUNTED
CVR EXIT DEVICE**



APPLICATIONS

- Schools
- Convention Centers
- Office Buildings
- Churches
- Retail Spaces, Etc.

DOOR/ or OTHER SIZES

- 30" to 48" Standard
- Custom Sizes Available
- Door Heights up to 9'
- Door Stiles Widths as Narrow as 2"

PRODUCT MATERIALS

- Anodized Aluminum Push Bar and Channel
- Stainless Steel Strikes
- Steel Latch Bolts
- 3/8" Steel Vertical Rods

PRODUCT WARRANTY

First Choice warrants that the products manufactured by us will be free of defects in material and workmanship for a period of two years from date of invoice.

ACCESSORIES

**MEL3000-1 24vDC
1 Amp Motorized Electric
Latch Retraction**

MEL is available on First Choice model 3190 vertical rod devices. These devices are equipped with a 24vDC 1 Amp motor suitable for high traffic conditions and capable of extended periods of activation. Also available as a Retro Fit Kit for our 3690, 3790, 8660, 8760, and 8860 Series Exit Devices.



SW300-CA

Signal Switch provides a contact circuit monitoring push bar position



Now available with quick connect (QC) Connectors



**MP021 Exterior
Key Cylinder**

Using the Dogging Cam and Key Cylinder Actuator gives you the option to control Night Latch or Hold Back Functions.