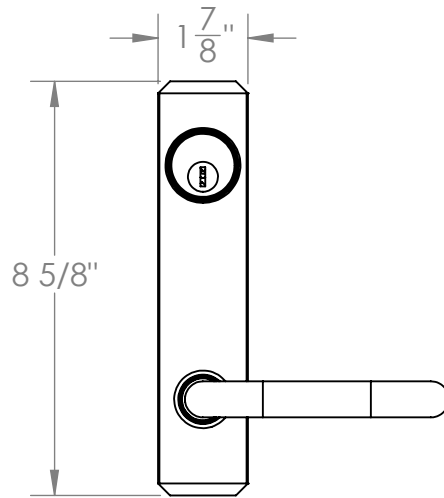
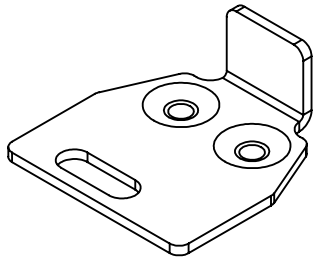


LEVER INSTALLATION TEMPLATE

for First Choice for RIM Latch 3790 Exit Device
 Model L3720-E1 Lever Trim Right Hand Reverse Bevel
 With electric control



MM-035R
 is included to reverse direction
 of rotation for the latch

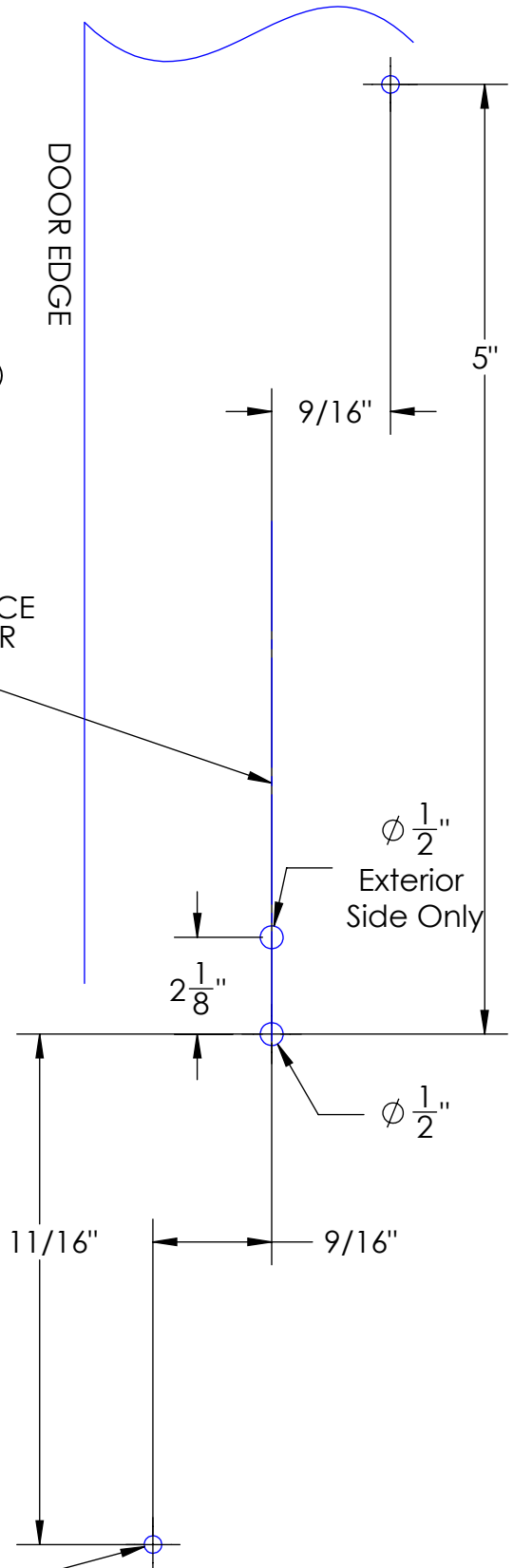
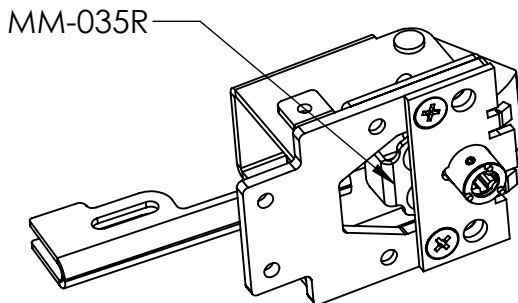
SEE EXIT DEVICE
 TEMPLATE FOR
 BACKSET

DOOR & FRAME PREPARATION INSTRUCTIONS

FOR CENTERLINE REFERENCE USE THE EXIT DEVICE
 TEMPLATE TO
 LOCATE PINION GEAR HOLE, ALSO KNOWN AS
 THE OPERATOR HOLE.

ELECTRICAL CONNECTION

Wiring is to be brought
 from the frame to the lock
 area of the door. 24VDC
 300mA



3/8\"/>
 side and countersink
 for #10-32 on interior
 side of door 2 places

Template shows exterior of door

FIRST CHOICE
 BUILDING PRODUCTS

REVISED: 09.17.2018