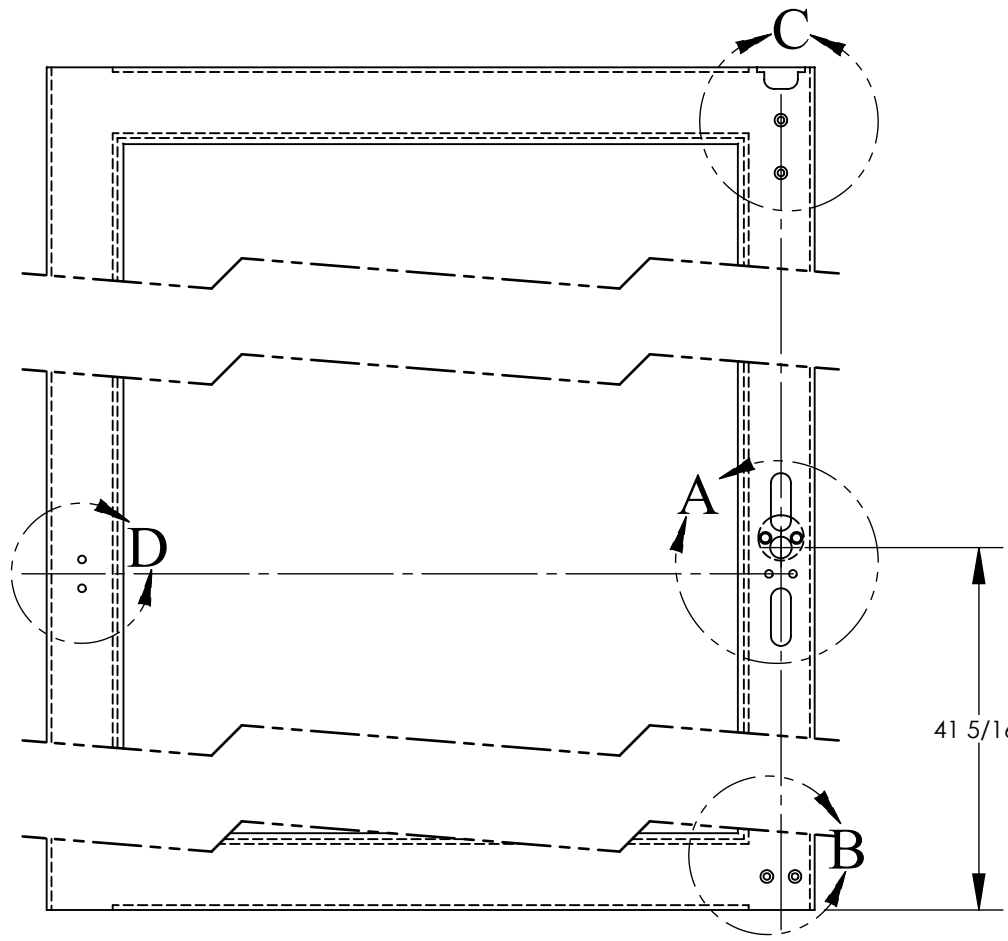
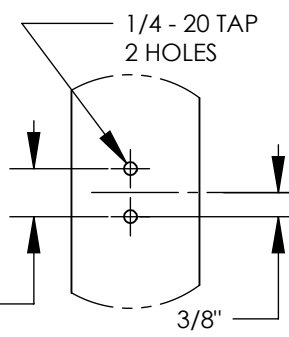


DOOR PREPARATION TEMPLATE (3690FL)

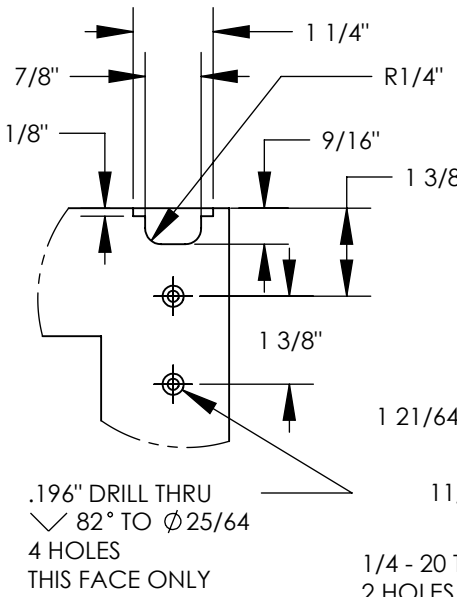


ALL CUT-OUTS AND HOLES ON INSIDE FACE UNLESS NOTED.

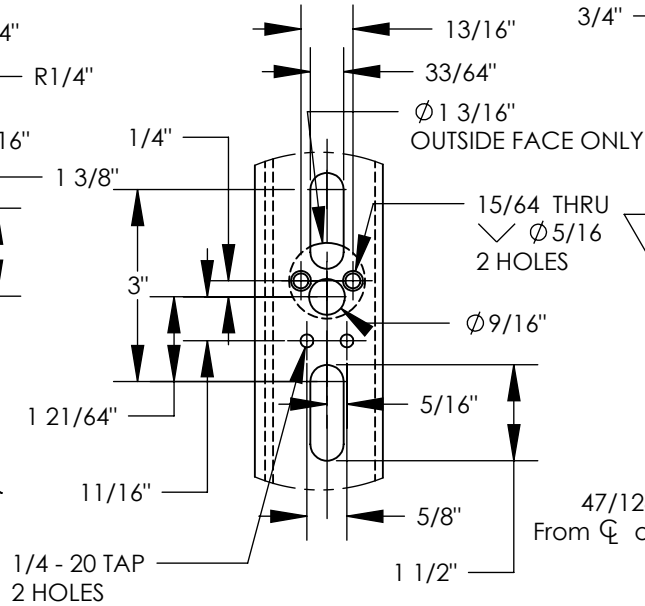
LEFT HAND DOOR SHOWN



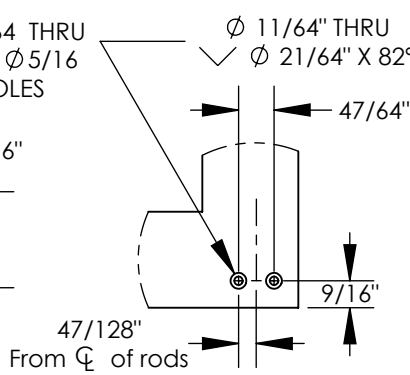
DETAIL D
SCALE 1 : 3



DETAIL C
SCALE 1 : 3



DETAIL A
SCALE 1 : 3



DETAIL B
SCALE 1 : 4