



FL3690

S ■ E ■ R ■ I ■ E ■ S

Concealed Vertical Rod Impact & Blast Exit Devices

Statewide Florida Product Approval including High Velocity Hurricane Zone (HVHZ)

- FL 16554
Model 35H and 50H to 90 psf
Miami Dade & Broward Counties



Sleek and attractive, the FL3690 is ANSI Grade 1 (500,000 cycles) and UL listed. With durable anodized finishes and high performance coatings on solid metal end caps, these devices are made for tough, high traffic conditions.

When used with the appropriate H or HL Series entrance system from America Inc., the FL Series is approved for hurricane impact and blast resistance.

Contact your distributor for more detail.

Florida Product Approval Wind Zone 3

- FL 16981
Model 35HL and 50HL to 50 psf
Wind Zone 3

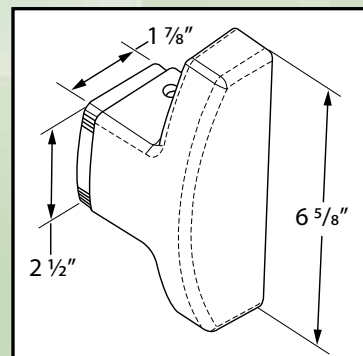
Series 3690 Concealed Vertical Rod Device Specification

Exit Device shall be First Choice Building Products series FL3690 Concealed Vertical Rod Narrow Stile model utilizing a low profile touch bar projecting less than three inches (3") from the face of the door. The device shall use 3/8" steel vertical rods operating hardened steel latch bolts with the top latch engaging a stainless steel, top jamb mounted strike with rotational adjustment for proper door alignment.

The device shall be active the full length between door stiles and mount to the door using metal covers and end caps.

The device push bar and base shall be 6063, T-6 hardened aluminum in anodized finishes.

The device shall be capable of operation by external key cylinder with Night Latch or Hold Back settings. The device shall be capable of disengagement by single point, quarter turn dogging.



DIMENSIONS

- 2 1/2" Push Bar Height
- 3" Projection
- 40 5/8" Centerline Height Typical
- Center Case Cover - 6-5/8" Tall by 1-1/4" Wide

www.FCBP.com

Phone (800) 793-4544 • Fax (800) 867-5016

FL3690

S ■ E ■ R ■ I ■ E ■ S



Marked with a directional arrow, the stainless steel top strike can be rotated to insure a tight fit between door and frame. The 1/2" projection of the steel bottom latch provides maximum engagement with the threshold for solid security.



For secure access from the outside be sure to include the CVR Cylinder Kit designed for standard rim cylinders.

For access convenience, the simple rack and pinion design can be set for Night Latch (always locked when key is removed) or Hold Back (can be left unlatched after key is removed).

FL3690 Series

Concealed Vertical Rod Exit Device Accessories



Interior Cylinder Dogging

The CD36 cylinder dogging function is available for the model 3690 CVR exit device and eliminates the need for special hex keys to put the device into hold open mode.

Thumb-turn cylinders are also available for keyless dogging.



Series L3 Levers

Utilizing a unique gear system these levers will operate with the 3690 CVR device.

Manual levers can be set for both Hold Back or Night Latch. All levers are designed for most common mortise cylinders. A security collar is included.

The electric levers are low voltage and can be operated by remote devices such as card readers, code key devices and remote mounted switches. Power requirements are 24v DC with easy hook up at the lever.

Available in painted finishes to match clear and dark bronze anodized



3690 Series is available with Motor Driven Electronic Latch Retraction



Preinstalled into any First Choice Building Products Series FL3690 exit device. Provides a low 1 ampere solution for providing electric latch retraction. Contains a photo beam to monitor device location, ensuring the push bar is in the fully open position. Rated for continuous all day hold open to keep the device in dogged position.