

D3 / D3i - DOOR BACK PORTION OFFSET PIVOT HINGE - ORDER FORM

ORDER DATE:

CUSTOMER NAME:

CUSTOMER P.O. NO.:

CUSTOMER SIGNATURE:

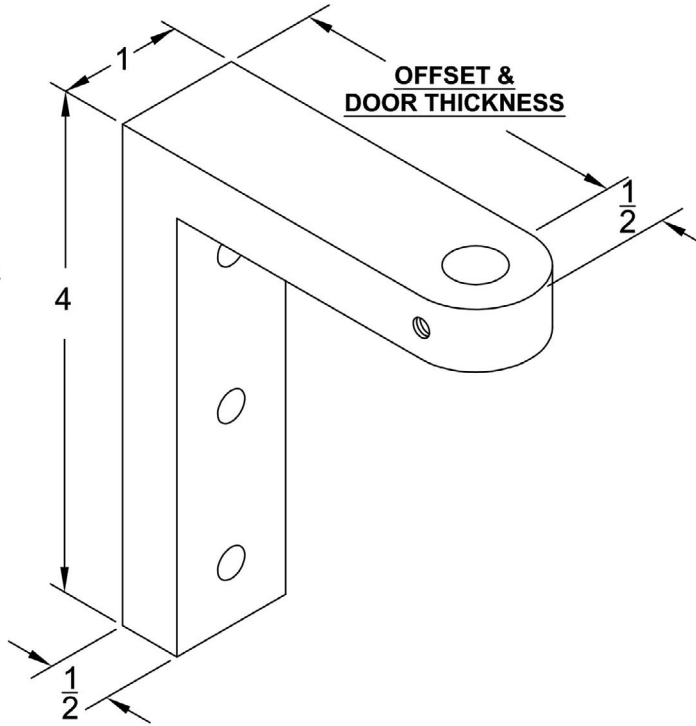
QUANTITY:

QTY. LEFT HAND:

QTY RIGHT HAND:

D3 / D3i

D3i IS USED WITH T4i
AS AN INTERMEDIATE
BACK JAMB PIVOT
SET AS: T4i x D3i



LEFT HAND STANDARD DUTY SHOWN
(FOR SET SCREW ACCESS)
SCREW: 1-1/4 x #12

THRUST BEARINGS AND/OR
NEEDLE BEARINGS ADDED FOR
EXCESSIVE WEIGHT AND HEIGHT

USE H.D. 1/2" x 1" STOCK FOR DOORS
OVER 175 lbs. - 1-1/2" x #14 SCREWS

ALL PIVOTS ARE CUSTOM MADE TO SUIT JOB CONDITION

DOOR THICKNESS

1-3/4"

2-1/4"

OTHER

OFFSET

3/8"

3/4"

OTHER



E-mail: sales@fcbp.com

First Choice Building Products, LLC.

1222 Ardmore Avenue, Itasca 60143

800-793-4544 • FAX 800-867-5016 • www.fcbp.com

- Download File
- Fill out form & Save
- SUBMIT
- Attach File & Send

Submit

ALL PIVOTS ARE CUSTOM MADE TO SUIT JOB CONDITION